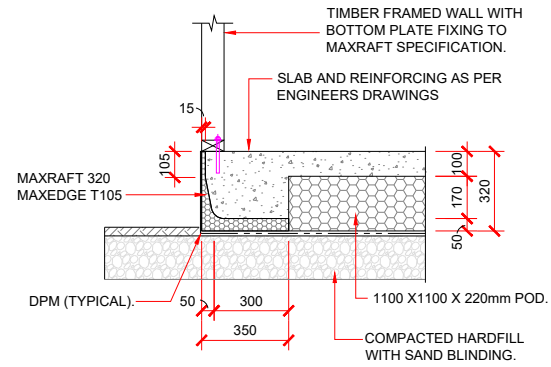
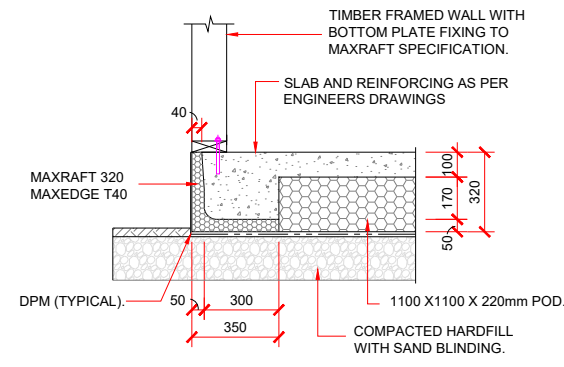


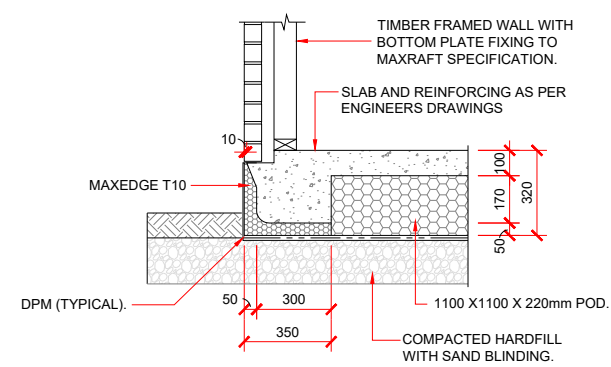
100mm CONCRETE + 220mm PODS



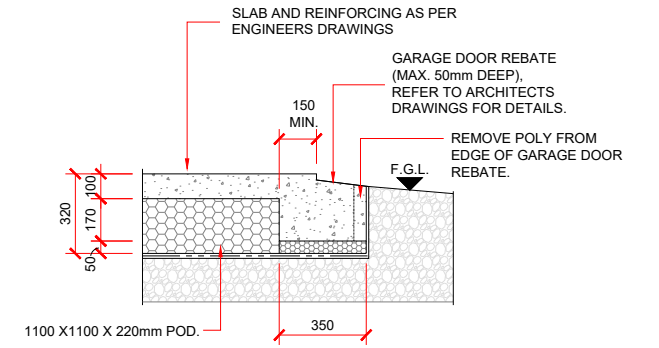
**EXTERNAL FOOTING DETAIL  
MAXEDGE T105 - 90mm FRAMING**



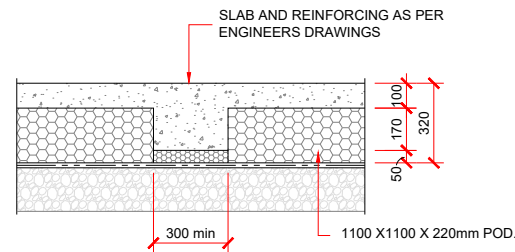
**EXTERNAL FOOTING DETAIL  
MAXEDGE T40 - 140mm FRAMING**



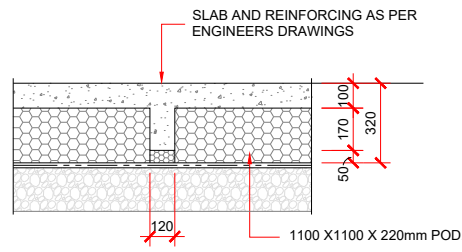
**BRICK / STONE VENEER  
REBATE DETAIL**



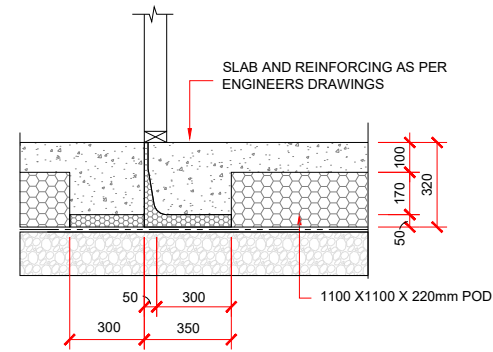
**GARAGE DOOR REBATE DETAIL**



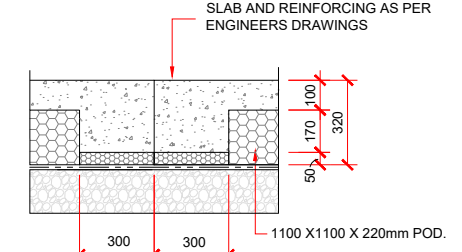
**INTERNAL FOOTING DETAIL**



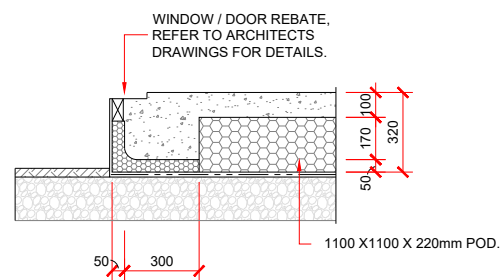
**INTERNAL RIB DETAIL**



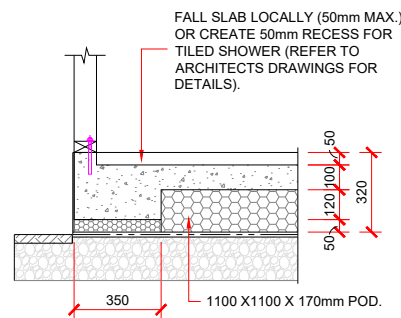
**THERMAL BREAK**



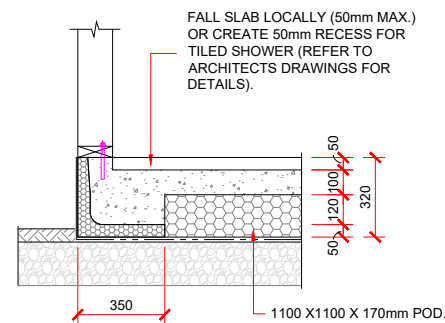
**FREE JOINT / CONTROL JOINT DETAIL**



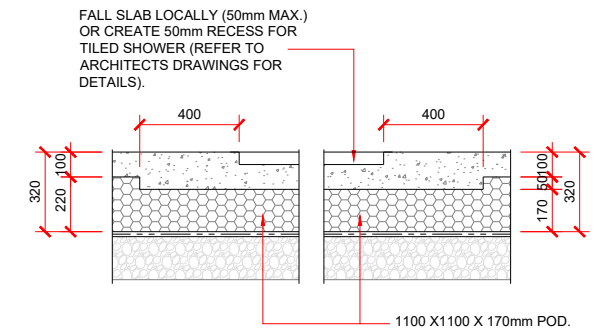
**JOINERY REBATE DETAIL**



**SHOWER RECESS DETAIL - 90mm FRAMING.**



**SHOWER RECESS DETAIL - 140mm FRAMING.**



**SHOWER RECESS DETAIL.**

MAXRAFT STD 320

DATE : 27/11/2023